

Product Datasheet

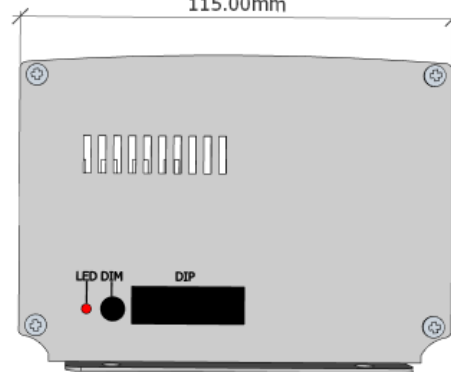
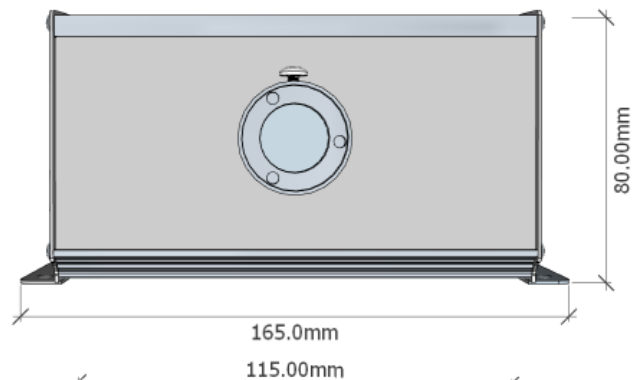
MiniLED800

The MiniLED800 is an efficient LED fibre optic dimmable twinport light source featuring RGBW colour changing and twinkle effects. The light source can be controlled either by the supplied radio remote, or via a DMX connection, allowing the MiniLED800 to integrate with most home automation systems.

The compact remote allows the user to stop/start the twinkle or colour changing effects, increase/decrease the LED brightness level or set the unit to standby. A series of preset programs enables the user to easily access a variety of mixed effects from the remote.

DMX control unlocks the full potential of this light source, with RGBW mixing giving an enormous range of colours. Full control of the twinkle wheel, dimming and strobing effects is also available through DMX.

Using the Starscape Infinity system, the MiniLED800 has a capacity of 600 mixed diameter star points.



Optical port size (ID)	20mm
Supported fibre types	PMMA / Glass
Supply voltage	240ac via transformer 3 pin plug
PSU output	12v DC
Power consumption	14w
LED (power & colour temperature)	4x 3w LED (RGBW)
Operating temperature range	-10°C / +40°C
Operating environment	Dry, ventilated.
Control options	Radio remote control (315mhz), DMX
Effects range	RGBW colour mixing, twinkle, 8 bit dimming (DMX)
Dimensions	190 x 115 x 80mm
Weight	895gr
LED Lifespan	50,000 hours (nominal)
Material & colour	Steel – grey, Aluminium - silver
Country of manufacture	China (ISO9001 accredited)