

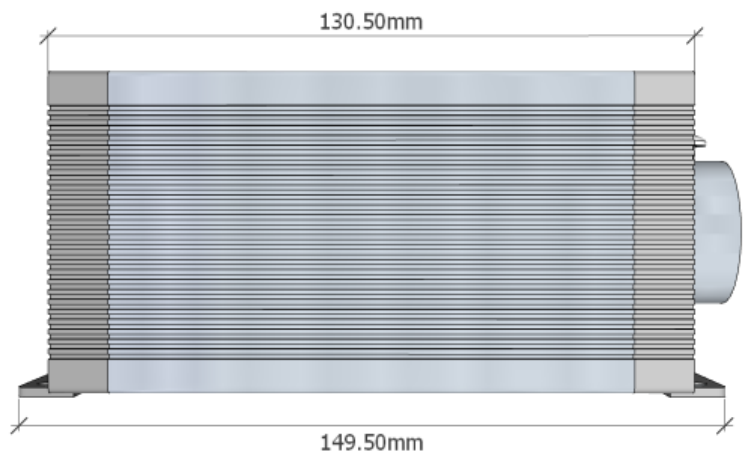
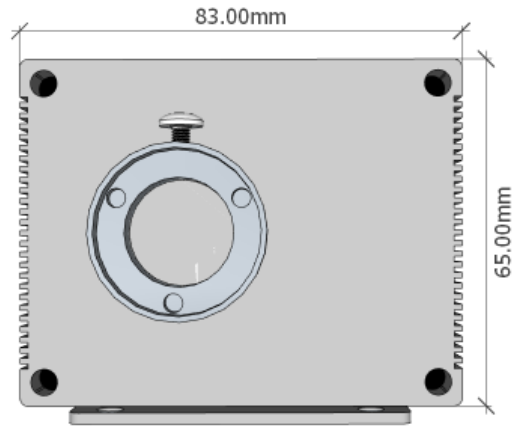
# Product Datasheet

## MiniLED550

The MiniLED550 is an efficient remote control, dimmable LED fibre optic light source featuring either colour changing or twinkle effects.

A compact remote allows the user to stop/start the twinkle or colour changing effects, increase/decrease the LED brightness level or set the unit to standby. Rotational speed of the wheel motor can be set using DIP switches on the unit.

Using the Starscape Infinity system, the MiniLED550 has a capacity of 600 mixed diameter star points.



Optical port size (ID)	20mm
Supported fibre types	PMMA / Glass
Supply voltage	240ac via transformer 3 pin plug
PSU output	12v DC
Power consumption	6 watts
LED (power & colour temperature)	5w (Cool or Warm white)
Operating temperature range	-10°C / +40°C
Operating environment	Dry, ventilated.
Control options	Radio remote control (315mhz)
Effects range	White light twinkle, 6 colour changing via colour wheel
Dimensions	149.5 x 83 x 67mm
Weight	400gr
LED Lifespan	50,000 hours (nominal)
Material & colour	Plastic – black, Aluminium - silver
Country of manufacture	China (ISO9001 accredited)