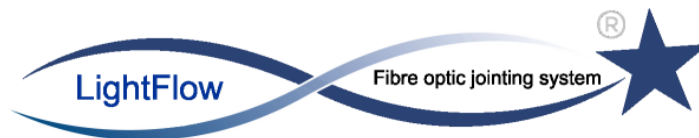


Starscape

Star Ceilings Ltd

ACP Installation guide



Starscape Starceilings Ltd, Woodside, Berwick upon Tweed, Northumberland, TD15 2SY, United Kingdom
Tel: 01289 332900 Email: support@starscape.co.uk www.starscape.co.uk

Contents Page

2	ACP delivery contents
4	Light sources, Hydra and carrier tails
5	Button Fix panel installation
8	Screwed panel installation
10	Track/screw layout plan

ACP Installation Components

Small panels (1.2m or less in all dimensions) will be supplied in a flat cardboard box.

Large panels (greater than 1.2m in one dimension) will be supplied in a wooden crate.

NOTE: Panels may be supplied with either a fixed length tail terminated in an aluminum ferrule, or with a Hydra & carrier tail system powered by a single lightsource.

In addition to the panel box will be a second, smaller, box containing the lightsource and any optional components.

LIGHTSOURCE



The light source needs a 240v socket (unless it is to be hard wired, see page 4).

Optional installation components

BUTTON-FIX

If the panels are to be installed using the Button Fix mounting system, then the Button-Fix components will be attached to the rear of the panel in a small bag.

The steel mounting track and fixings will be in the crate/box with the panel.

SCREWED

If the panels are to be installed using screws, then a separate small bag of screws and caps (if suitable) will be attached to the rear of the panel in a small bag.

LED TAPE

If the panel has an LED tape upgrade, the PSU, controller, and any additional components will be in the box with the lightsource.

HYDRA & CARRIER TAILS



The Hydra will have screw fit barrel connectors on one end of the tails, and a single large ferrule at the other.

The carrier tails will have screw ferrules at both ends and their lengths clearly labeled.

Light source

The light source must be positioned on a flat surface with no obstructions. If the unit is to be wall mounted, the rear vent must not be obscured. It must be ensured that there is always suitable room for air flow around the unit.

The light source used will be one of the light sources shown below. The exact unit used for the installation will depend on the individual requirements of the panel. The manual for the light source chosen for this installation is included in the light source box. Manuals are also available on our website.

If a hard wire kit has been requested, this should be installed by a qualified electrician, and will be in the box with the lightsource.



MiniLED550



MiniLED600



MiniLED750 or 800



MiniLED850

Single panel tail installation

The panel will have a single tail bundle of 1-6 sheathed fibre bundles terminated in a single aluminum ferrule. Once the light source has been situated, plug in the ferrule, and tighten the small screw on the optical port.

Hydra and carrier tail installation

The Hydra will split the light emitted from the light source into 6 separate tails. You may not need all 6 tails; however, this system allows for flexibility.



Once the light source has been situated, plug in the Hydra and tighten the small screw on the optical port.

The carrier tails transfer the light from the Hydra to the Infinity tail. All tail components fit together using the LightFlow screwed optical joint system.



Each carrier tail is then run out from the lightsource to the panel location and screwed to one of the Hydra tails.

Button Fix panel installation

The Button-Fix system is designed to facilitate easy and accurate mounting of your Starscape Star panel. The system comprises three components:

- 4 BLACK mounting points (pre-fitted to the panel framework)
- 4 RED marker buttons (pre-inserted into the mounting points)
- 4 GREEN fixing buttons (loose in a bag attached to the rear of the panel).

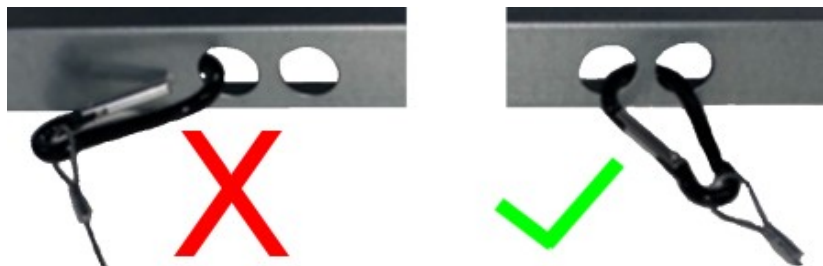
There are also 4 tethers attached to the panel which will be clipped to the supplied steel track.

*******USE OF A PLASTERBOARD LIFT OR SIMILAR IS RECOMMENDED*******

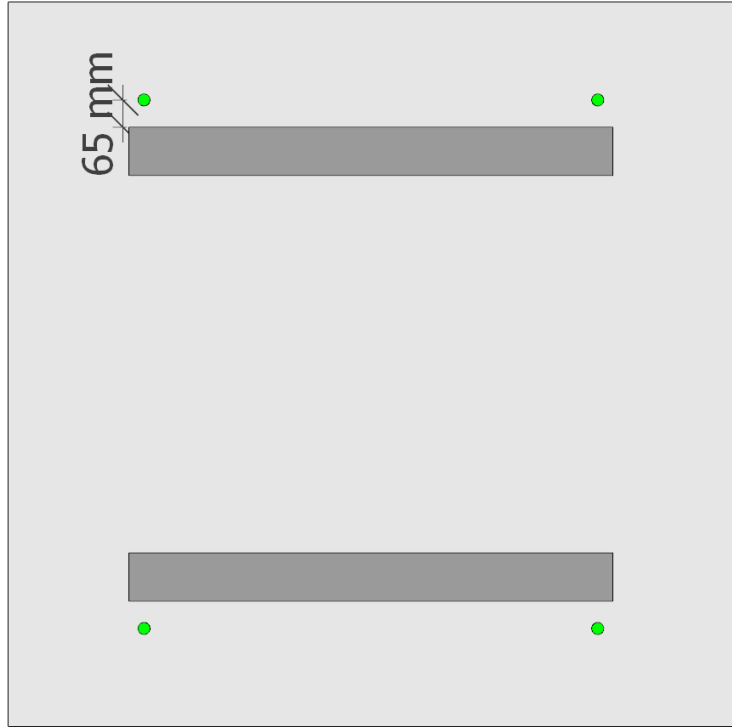
Fitting the panel to the ceiling:

1. With the marker buttons in place, raise the panel up to the ceiling and press firmly so that the pins in the red marker buttons leave a small mark on the ceiling.
2. After marking the ceiling with the panel, measure in 65mm from the indentations and mark the track location. Standard layouts are shown below, track for custom panels will be laid out according to the supplied plan.
3. Fit the track using the supplied plasterboard fixings, or into joists if possible. **THE TRACK MUST BE FITTED WITH THE FLAT SIDE AGAINST THE CEILING.**
4. Using the marks from step 1 as a guide, screw the green fixing buttons into place on the ceiling on the indentations.
5. Remove the red marker buttons from the mounting points.
6. Lift the panel approximately into place and clip the safety tethers into the track.
7. Screw the carrier tails to the tails exiting the panel and attach any other wires e.g. for LED tape.
8. Raise the panel up to the fixing buttons so that each button locates into the mounting point.
9. Firmly slide the panel across so that all the buttons lock into the mounting points.
10. Peel off the protective film from the face of the panel.

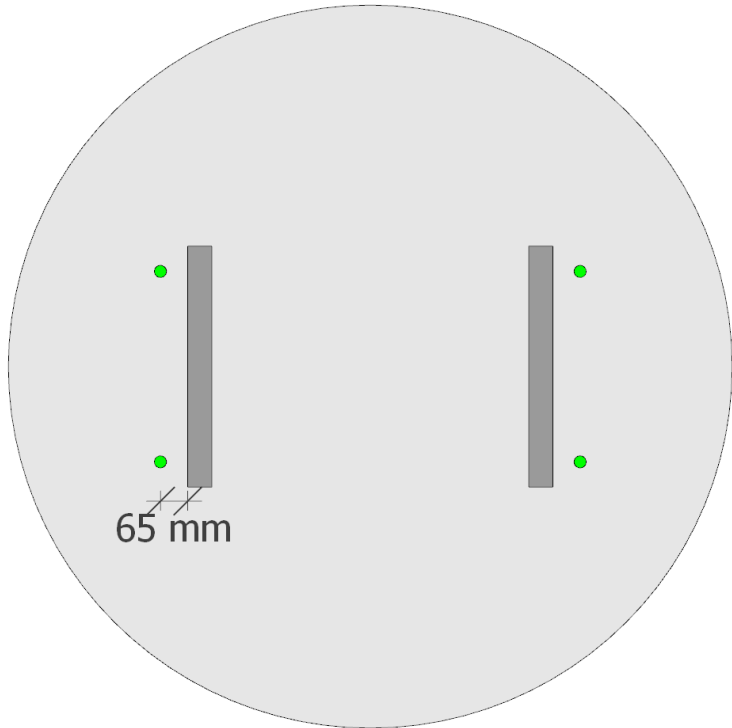
IMPORTANT: ALL FOUR BUTTONS MUST BE ENGAGED FOR A SECURE FIXING



ALL CARABINERS MUST BE CLOSED WHEN CONNECTED!



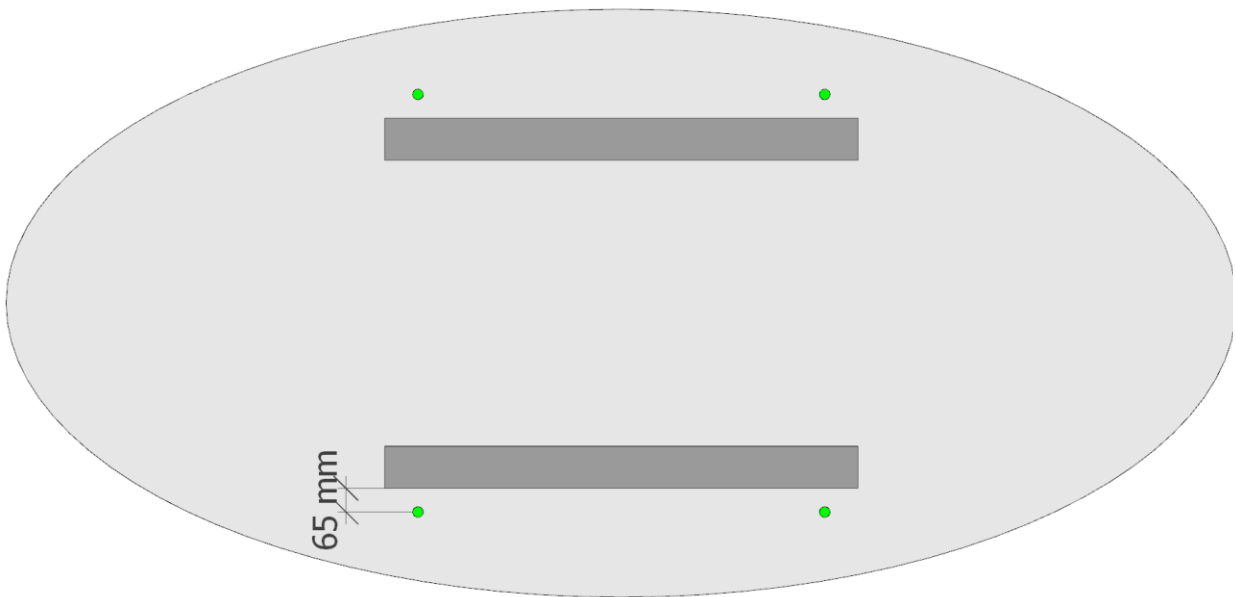
Aurora
Track length: 800mm



Eclipse
Track length: 400mm



Galaxy
Track length: 1250mm



Horizon
Track length: 900mm

Screwed panel installation

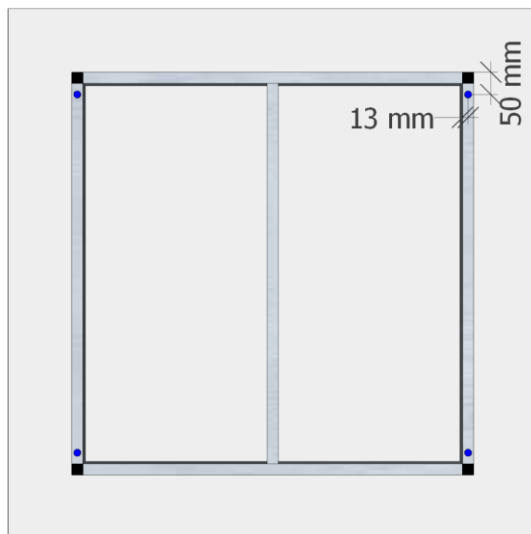
Screwed panels are supplied with a minimum of 4x 75mm screws and corresponding low profile screw caps. Panels should be screwed into timber (or similar) joists where possible. NOTE: depending on the ceiling construction, alternative screws may be required for installation.

*******USE OF A PLASTERBOARD LIFT OR SIMILAR IS RECOMMENDED*******

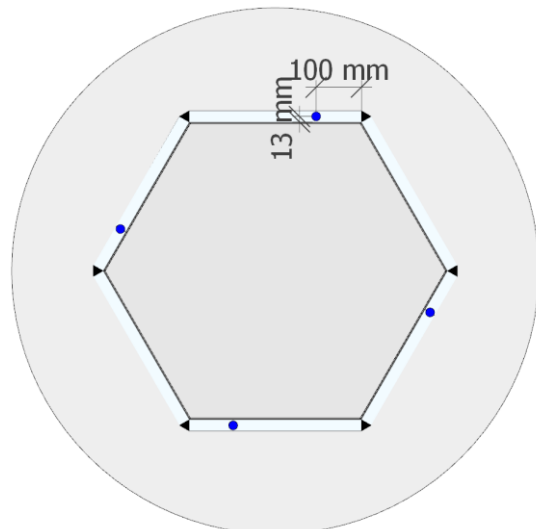
Fitting the panel to the ceiling:

1. Place the panel face down on a flat surface (**ENSURE SURFACE IS CLEAN TO AVOID SCRATCHING THE PANEL FACE**) and drill 3mm pilot holes as necessary from the rear, through the frame and panel. Standard layouts are shown below, custom panels will be spaced according to the supplied plan.
2. Turn the panel over. From the face, using the pilot holes, drill 5mm holes for the fixing screws. Countersink these so that the screws are flush with the face.
3. Lift the panel to the ceiling. Screw the carrier tails to the tails exiting the panel and attach any other wires e.g. for LED tape.
4. Carefully screw the panel in place.
5. Peel off the protective film from the face of the panel and fit the supplied screw caps.

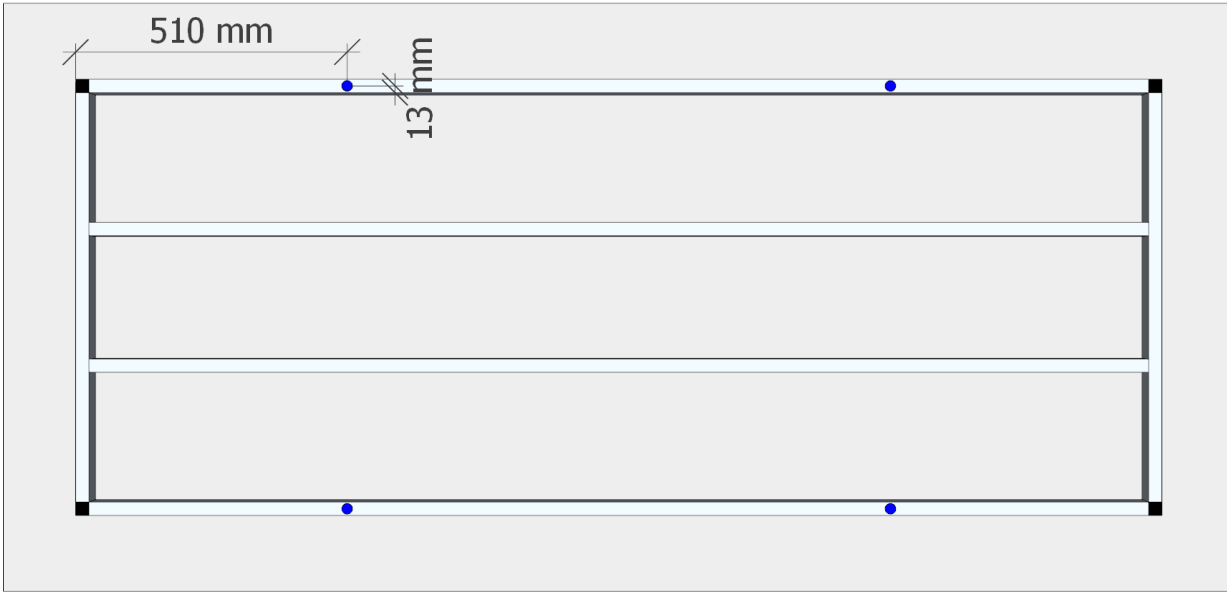
*******All measurements in these plans are to the centre of the hole*******



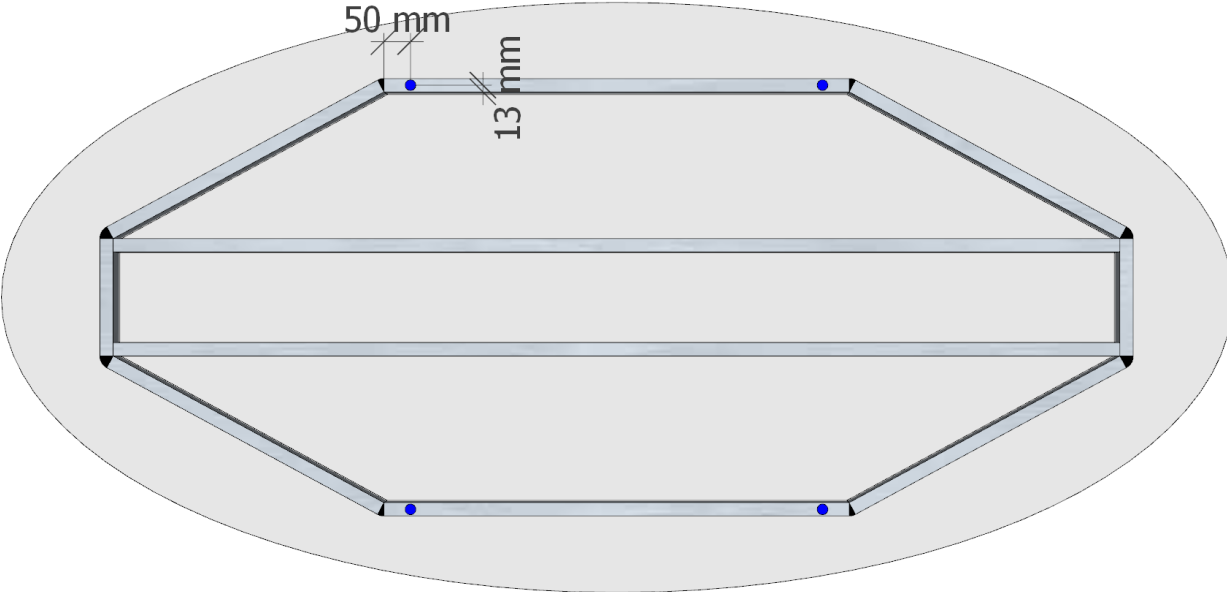
Aurora



Eclipse



Galaxy



Horizon